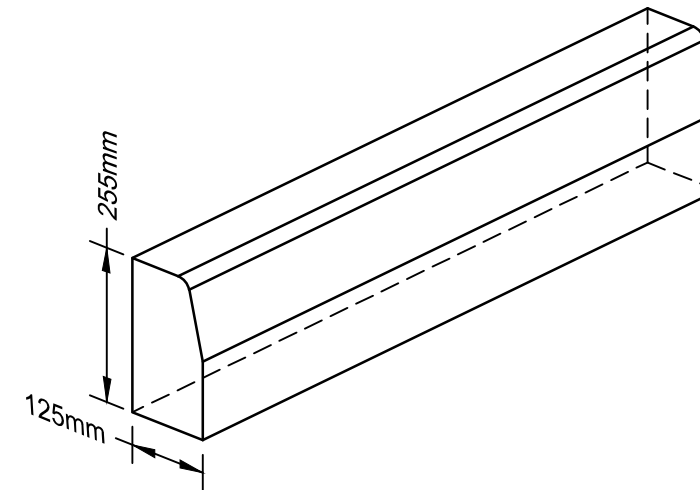
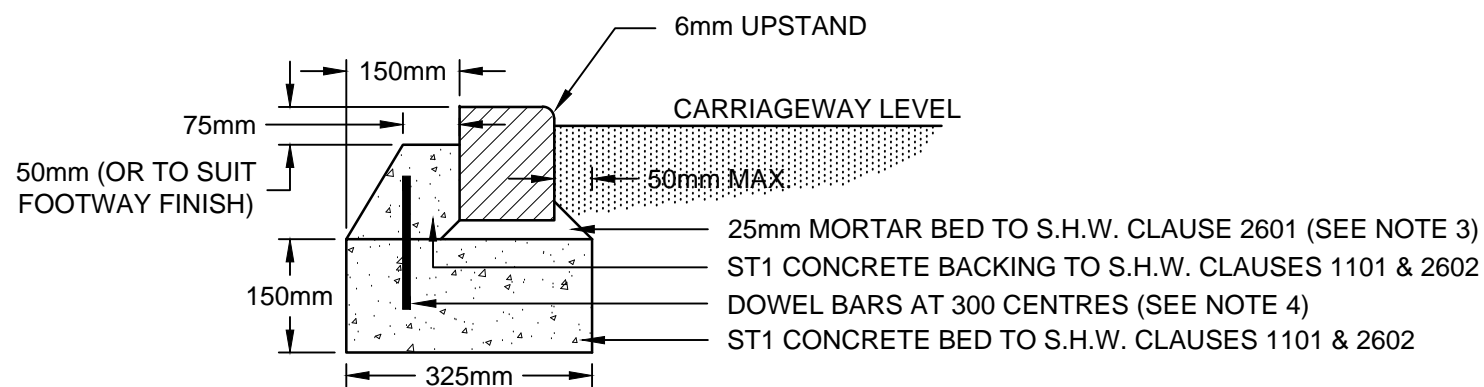


TYPICAL CROSS-SECTION

125mm(W) x 255mm(H) x 914mm(L)
PCC HALF BATTERED KERB

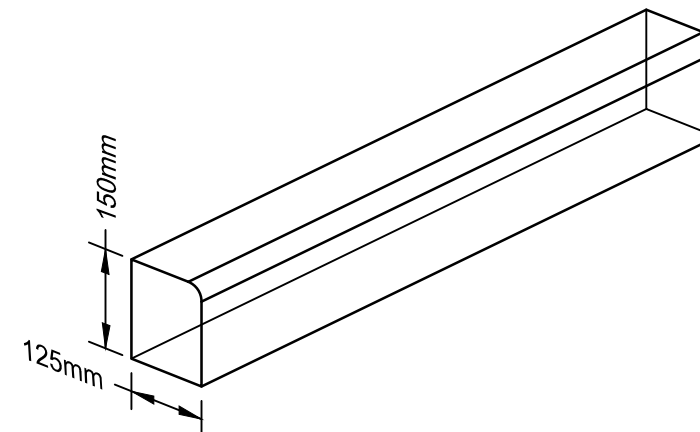


ISOMETRIC DETAIL (NOT TO SCALE)

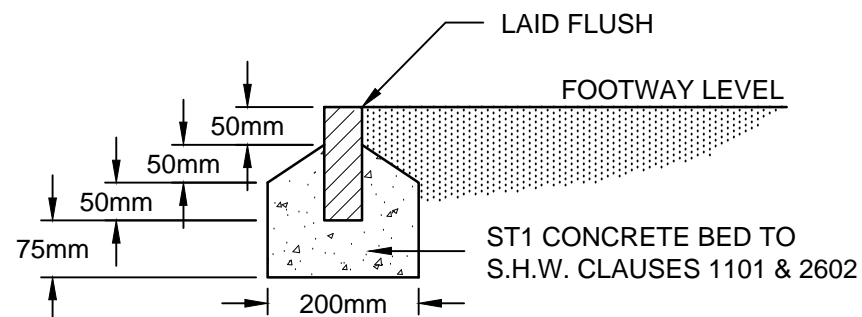


TYPICAL CROSS-SECTION

125mm(W) x 150mm(H) x 914mm(L)
PCC BULLNOSED KERB

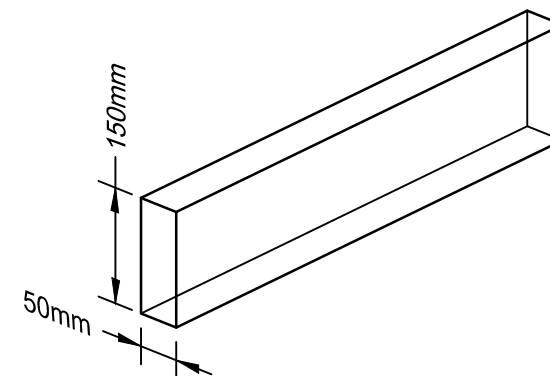


ISOMETRIC DETAIL (NOT TO SCALE)



TYPICAL CROSS-SECTION

50mm(W) x 150mm(H) x 914mm(L)
PCC FLAT TOP FOOTWAY EDGING



ISOMETRIC DETAIL (NOT TO SCALE)

Rev	Details	Drawn	Checked	Date
...

PRELIMINARY

NOTES:

1. Do not scale from this drawing.
2. This drawing to be read in conjunction with other contract drawings.
3. Mortar bed can be omitted if kerbs laid on fresh semi-dry concrete.
4. Dowels can be omitted if backing placed before bed concrete has hardened.

Client
Orchard Street

Project
Altrincham Retail Park

Drawing Title
**Proposed Eastern Egress
S278 Highway Works
Kerb Types, Bed & Backing
Standard Detail**

Scale	1:10	Size	A3
Drawn	DW	27.08.2019	
Checked	AM	27.08.2019	



111 - 113 Great Portland Street
London
W1W 6QQ
Tel. No. 0207 1000 753

Drawing Number	2019-3538-SD01	Rev	
----------------	----------------	-----	--